



Intallation Guide

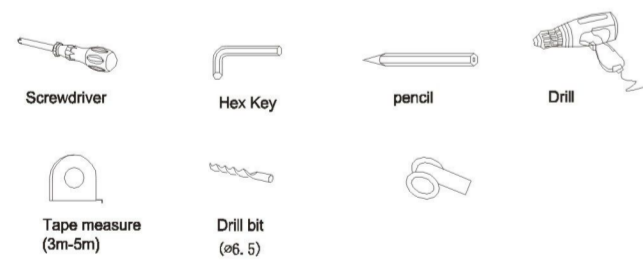
GUIDE D'INSTALLATION

Shower Column

Technical Data

Maximum operating pressure:	0.86Mpa
Recommend pressure:	0.35-0.55Mpa
Max.hot water temperature:	80°C
Recommend hot water temperature:	49-72°C

Recommended Tools for Installation:

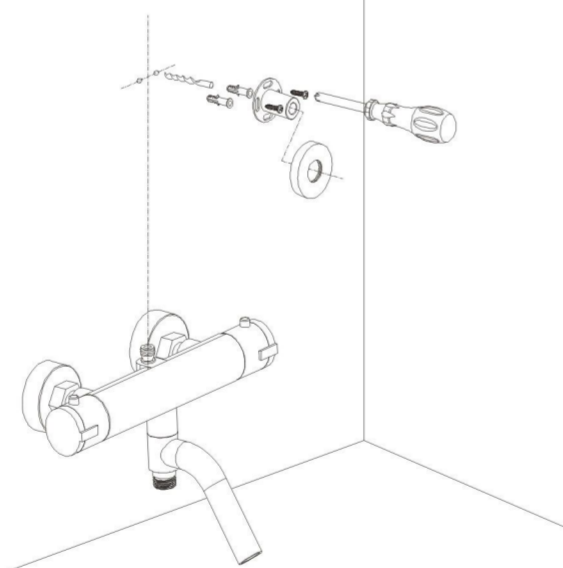


Replacement Parts:

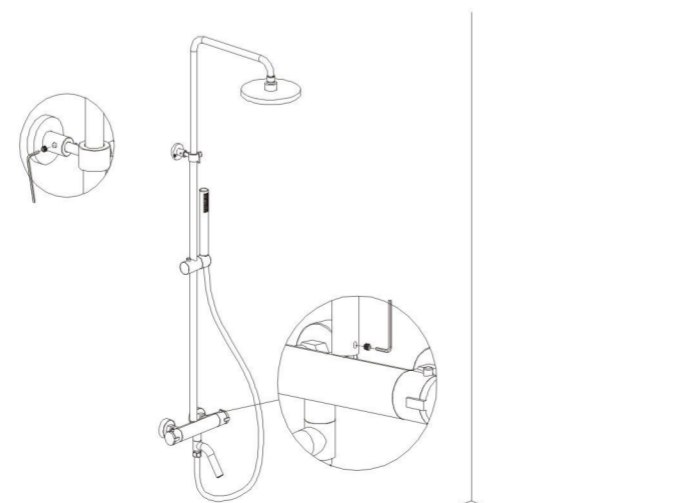
1. Thermostatic faucet	1PC
2. Decoration Cover	2PCS
3. Rubber Washer	2PCS
4. Brass Joints	2PCS
5. Hexagon socket screw	2PCS
6. Shower Tube	1PC
7. Hand shower holder	1PC
8. Fixing Part	1PC
9. Fixing Part Cover	1PC
10. Self-tapping Screw	2PCS
11. Plastic Screw	2PCS
12. Fixing Base	1PC
13. Head shower	1PC
14. Filter Washer	3PCS
15. Shower Hose	1PC
16. Hand Shower	1PC

1

3. Drill the two holes on the wall according to the marks, then install the fixing base.



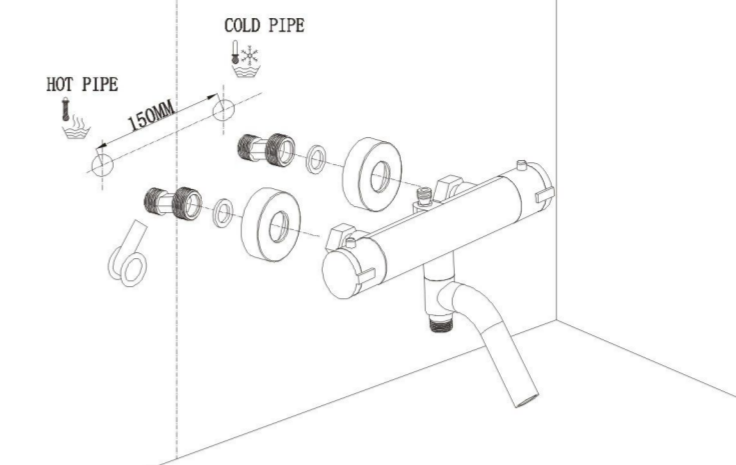
4. Connect the shower hose with thermostatic faucet. then fix the fixing parts with fixing base by hexagon screw.



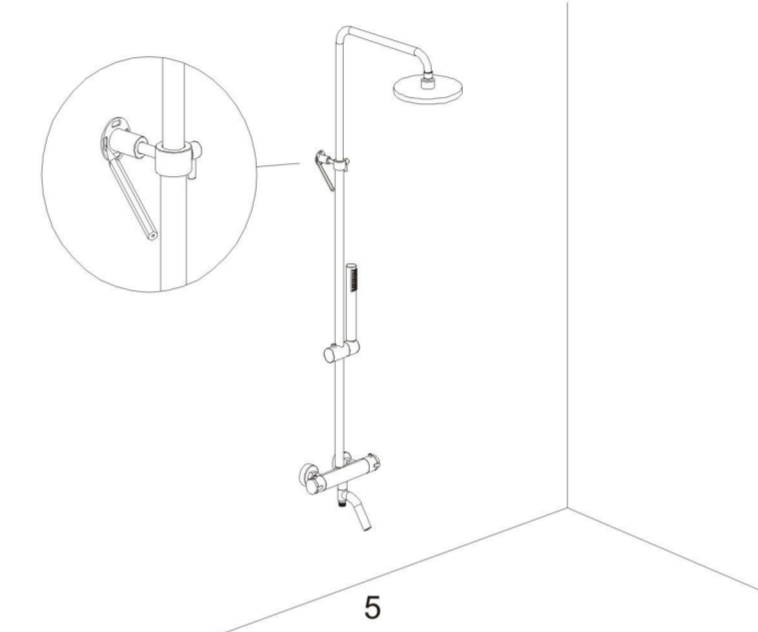
6

Preparing the proper position for your shower column

1. Installing the thermostatic faucet



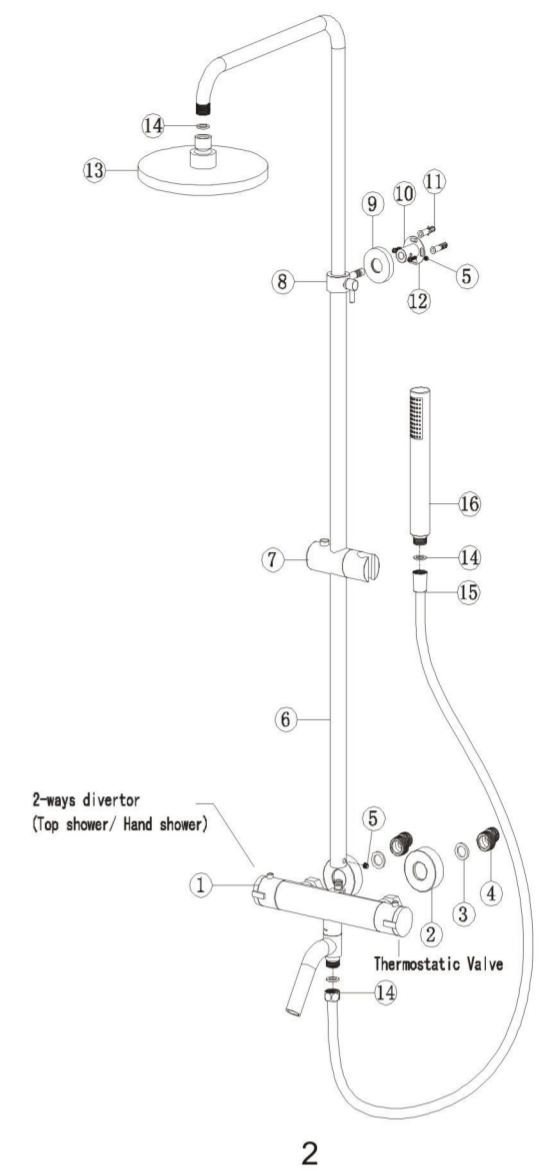
2. Connect the shower tube with thermostatic faucet; Mark on the two holes of fixing base by pencil.



5

Parts Identification:

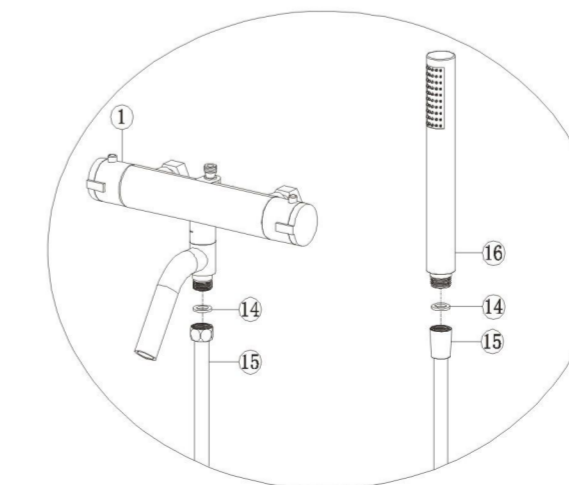
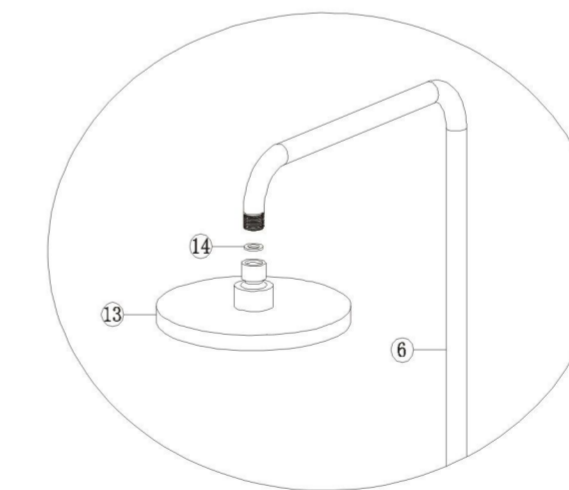
In order to make identifying all parts and components of the shower column easily and accurately, we have provided each part with a numeric code. Please make use of this code to reference parts on Page 1 and in the event you need to have a part replaced or ordered.



2

Basic Set Up:

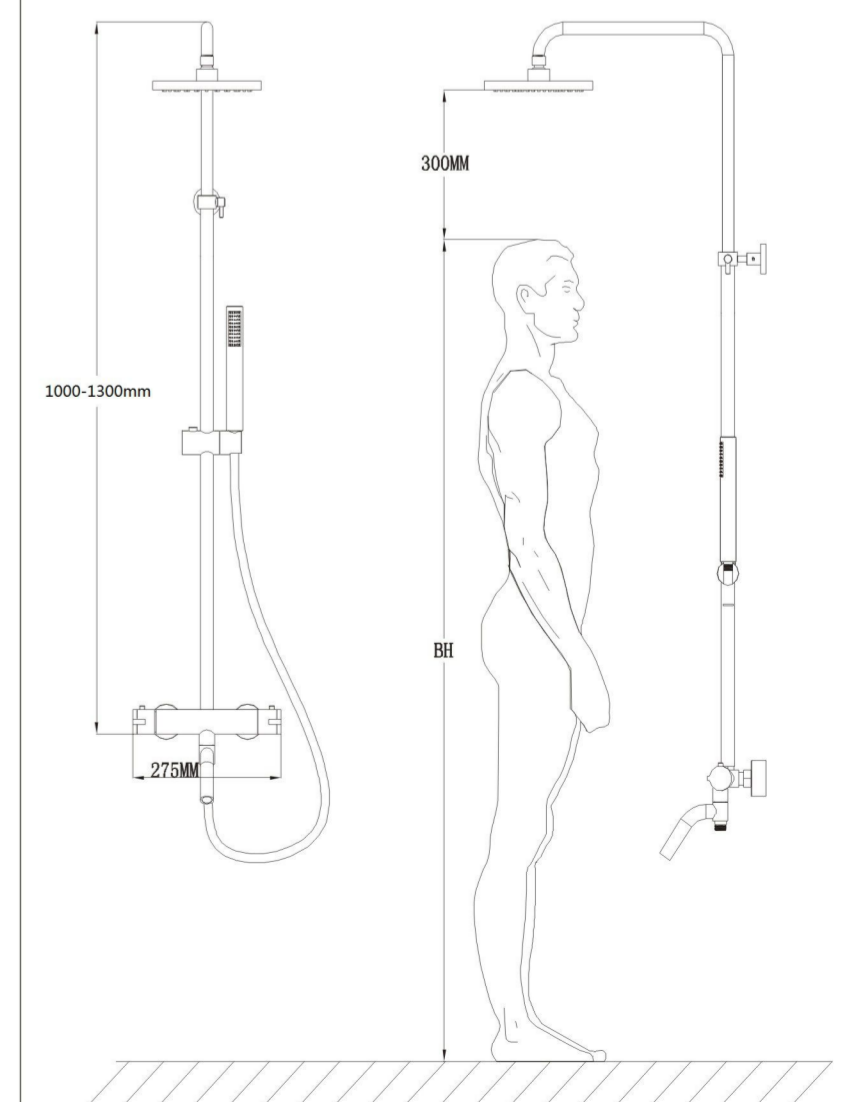
Below is a visual step-by-step sequence of how to put the shower column's main components together



3

Positioning the column using user's height(method1)

Depending on your height, we recommend the shower head to be positioned approx. 300mm above your head. If you have several persons in your home who will use this shower column, measure the height of the tallest person and position the shower head 300mm over that height.



4